

HYBRID SOLAR INVERTER IVEM SERIES

Features



Charging protection



Working without battery



Support a variety of batteries



Low noise



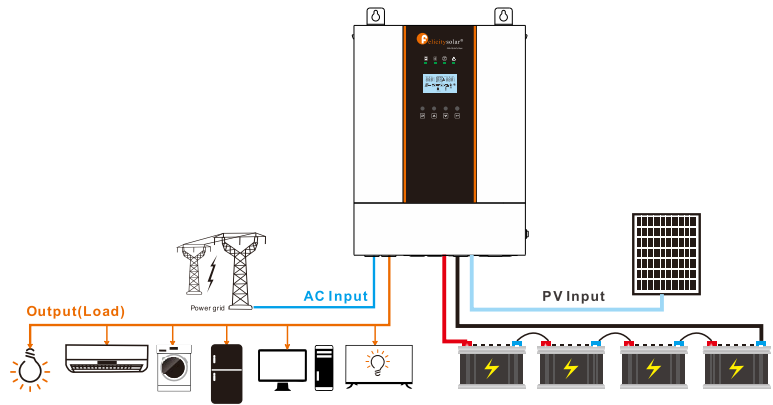
MAX PV Voltage



Parallel machine

Product Advantages

- Pure sine wave inverter.
- Built-in MPPT solar charge controller
- Configurable input voltage range for home appliances and personal computers via LCD setting
- Configurable battery charging current based on applications via LCD setting
- Configurable AC/Solar Charger priority via LCD setting
- Compatible to mains voltage or generator power
- Auto restart while AC is recovering
- Inverter running without battery
- Lithium battery activation function
- Cold start function.



PRODUCT PARAMETERS

Model	IVEM3024	IVEM5048
Rated Output Power(VA)	3000VA	5000VA
Rated Output Power(W)	3000W	5000W
Nominal DC Input Voltage	24V	48V
Nominal Input Voltage	230Vac	
Max AC Input Voltage	280Vac	
Nominal Input Frequency	50Hz / 60Hz (Auto detection)	
Efficiency (Line Mode)	>95% (Rated R load, battery full charged)	
Pass Through Without Battery	Yes	
Utility Charge Mode Specifications		
Input Voltage Range	90-280Vac	
Over Charge Protection	Yes	
Solar Charging & Utility Charging		
Max. PV Open Circuit Voltage	500V	
PV Voltage Working Range	120V – 500V	
Max. Input Power	4000W	6000W
Max. Solar Charging Current	100A	
Max. Charging Current(PV+Grid)	100A	
Max. Input Current	15A	20A
Min. Startup Voltage	125V	
Inverter Mode Specifications		
Output Voltage Waveform	Pure sine wave	
Nominal Output Voltage	230Vac±5%	
Nominal Output Frequency (Hz)	50±0.3Hz/60Hz±0.3Hz (Adjustable)	
Parallel Unit	—	12
Peak Efficiency	93%	
Over-Load Protection (SMPS load)	5s@≥150% load; 10s@105%~150% load	
Surge Rating	2* rated power for 5s	
Capable of Starting Electric	Yes	
Output Short Circuit Protection	Yes	
General Specifications		
Operating Temperature	0°C ~55°C	
Range Storage Temperature	-15°C ~60°C	
Net Weight(KG)	9.1KG	11.2KG
Gross Weight(KG)	10.8KG	13.2KG
Product Size (D*W*H)	395x295x129mm	415x320x129mm
Package Dimension (D*W*H)	492x392x222mm	514x419x222mm